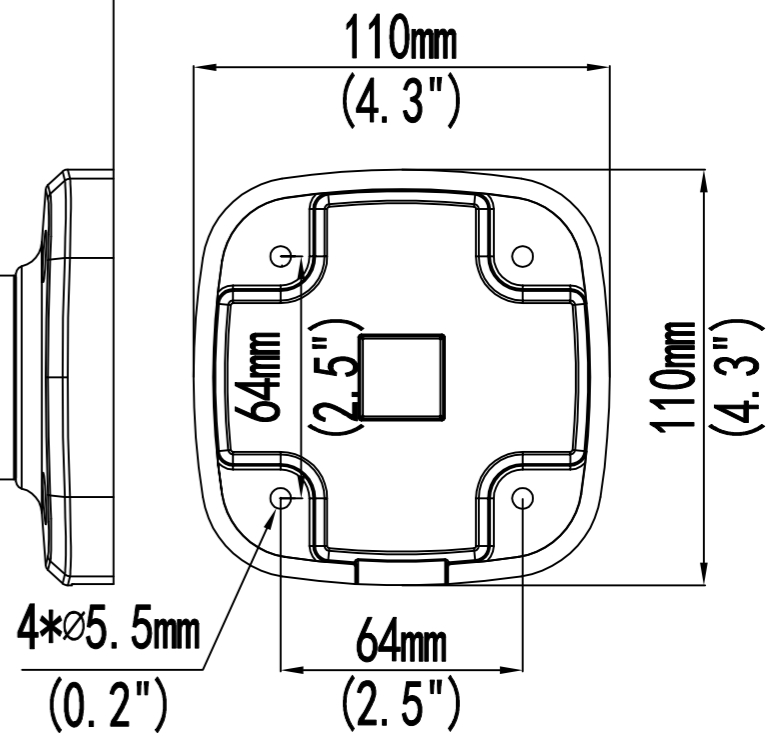
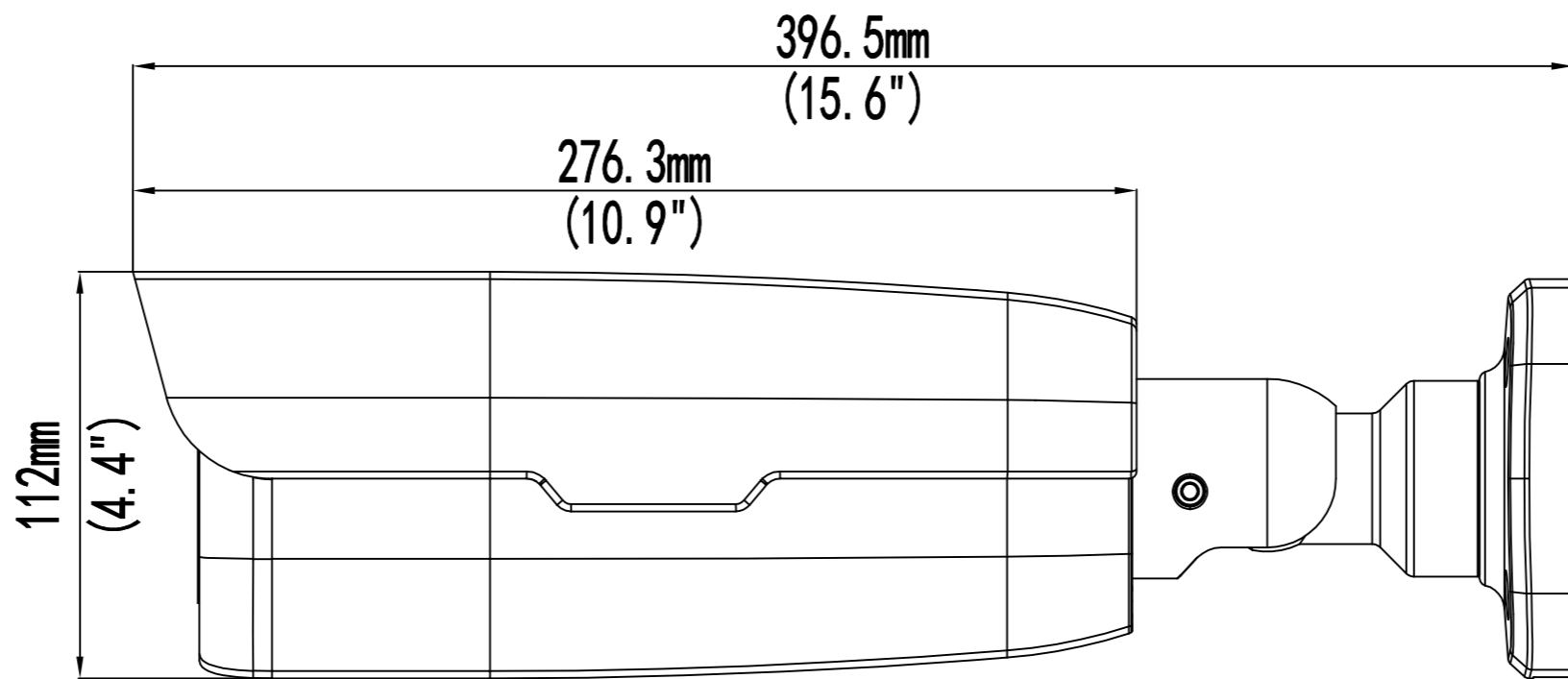
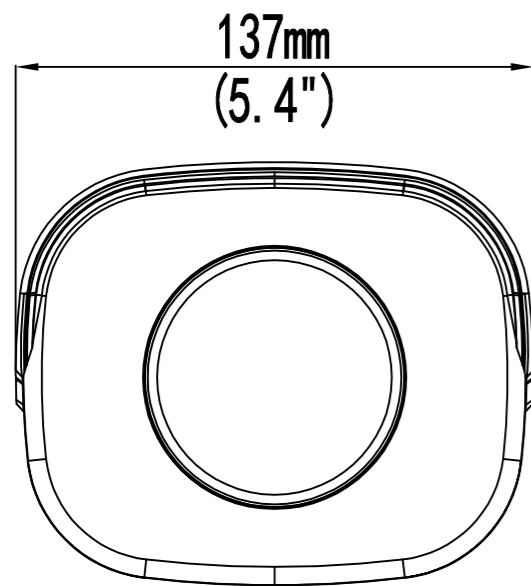


REV	ECO NO.	DESCRIPTION



RELEASE LEVEL: [ ]  
FILE NAME:

DRAW:		DATE: 01-16-14	UNIT'S: MM	DWG NO.:
CHKD:		DATE: 01-16-14	FINISH: A000	PART NO.:
STAD:		DATE: 01-16-14	MASS(Kg): 0.107	
APPD:		DATE: 01-16-14	SCALE: 1:2	REV
PRODUCT:		SHEET:   OF	MAT'L:	A0
				See Notes