



# 4MP WDR (Motorized) VF Vandal-resistant Network IR Fixed Dome Camera



## Key Feature



OPTICS

### Optics

- Day/Night functionality
- Smart IR, up to 30 m (98 ft) IR distance
- Lowlight surveillance
- 3D DNR (Digital Noise Reduction)
- Built-in motorized lens for remote zoom



COMPRESSION

### Compression

- H.264/MJPEG
- Triple streams
- ROI (Region of Interest)
- 9:16 corridor mode



NETWORK

### Network

- ONVIF Conformance



STRUCTURE

### Structure

- Support PoE power supply
- Built-in PoE splitter that outputs DC 12V
- Wide temperature range: -40°C to 60°C (-40°F to 140°F)
- Wide voltage range of  $\pm 25\%$
- IK10 vandal resistant
- IP66



# Specifications IPC3234SR3-DVZ28

## Camera

Sensor	1/3", 4.0 megapixel, progressive scan CMOS
Shutter	Auto/Manual, 1/6~1/8000 s
Lens	2.8~12 mm@F1.6; Angle of View (H): 105.0° (wide) ~30° (tele)
Zoom/Focus	Motor drive
Min. Illumination	Color: 0.02 Lux (F1.6, AGC ON) 0 Lux with IR
Day/Night	IR-cut filter with auto switch (ICR)
IR Range	Up to 30m (98 ft) IR range
S/N	>52dB
WDR	Optical WDR(up to 120dB)

## Video

Max. Resolution	2592 × 1520
Video Compression	H.264,MJPEG
Capture Collect Mode	4MP (2592×1520): Max. 20 fps; 4MP (2560×1440): Max. 25 fps 3MP (2048×1520): Max. 30 fps; 1080P (1920×1080s): Max. 25 fps
9:16 Corridor Mode	Supported
ROI	Supported
Video Streaming	Triple
OSD	Up to 8 OSDs
Privacy Mask	Supported

## Audio

Audio Compression	G.711
Two-way audio	Supported

## Storage

Edge Storage	Micro SD, up to 128 GB
--------------	------------------------

## Network

Protocols	L2TP,IPv4,IGMP,ICMP,ARP,TCP,UDP,DHCP,PPPoE,RTP,RTSP ,NTP,FTP,HTTP,SNMP,SIP
Compatible Integration	ONVIF, API

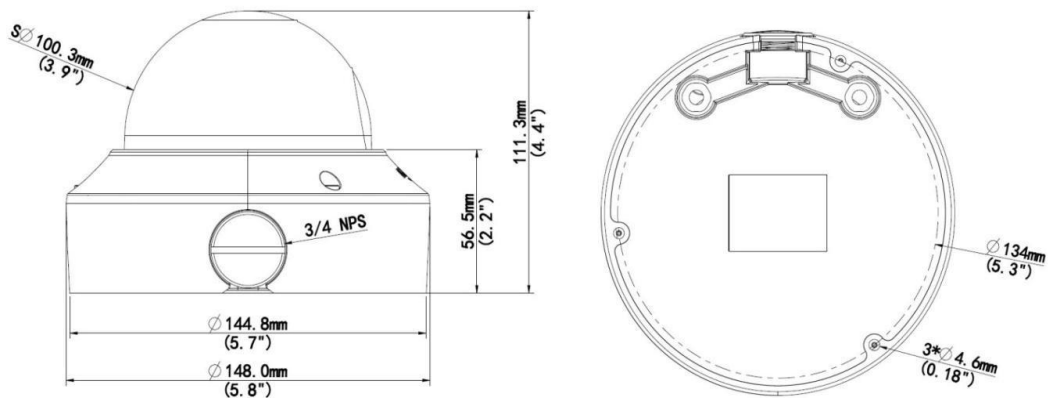
## Interface

Audio I/O	audio cable
	Input: impedance 35 kΩ; amplitude 2 V *p-p]
	Output: impedance 600 Ω; amplitude 2 V *p-p]
Alarm I/O	1/ 1
Network	1 RJ45 10M/100M Base-TX Ethernet
Video Output	1 BNC, impedance 75 Ω; amplitude 1 V *p-p]



Reset	1 Reset Button
Power Output	DC12V Power Output With PoE
<b>General</b>	
Power	12 V DC, or PoE (IEEE802.3 af)
	4.5W, Max. 8.7W
Dimensions (Ø x H)	Φ148 x 111.3 mm (Ø5.8" x 4.4")
Weight	0.75 kg (1.7 lb)
Working Environment	-40°C ~ +60°C (-40°F ~ 140°F), Humidity ≤ 90% RH(non-condensing)
Vandal Resistant	IK10
Ingress Protection	IP66

## Dimensions



## Accessories

Installation mode	Accessories	Description
Ceiling mount	Mounting pedestal is included in the product package	For indoor ceiling installation