



# 2MP VF Network IR Bullet Camera



## Key Feature



OPTICS

### Optics

- Day/night functionality
- Smart IR, up to 30m (98ft) IR distance
- Up to 120 dB Optical WDR (Wider Dynamic Range)
- 3D DNR (Digital Noise Reduction)



COMPRESSION

### Compression

- Triple streams
- ROI (Region of Interest)
- 9:16 corridor mode
- Customized OSD



NETWORK

### Network

- ONVIF Conformance



STRUCTURE

### Structure

- Support PoE power supply
- Wide temperature range: -35°C to 60°C (-31°F to 140°F)
- Wide voltage range of  $\pm 25\%$
- IK10 vandal resistant
- IP66



# Specifications IPC2322EBR-DPZ28

## Camera

Sensor	1/3", 2 megapixel, progressive scan CMOS
Shutter	Auto/Manual, 1/6~1/8000s
Lens	2.8~12mm @F1.4 ; Angle of view: 90° ~ 28°
Zoom/Focus	Motor drive
Min. Illumination	Color: 0.06 Lux (F1.4, AGC ON) 0 Lux with IR on
Day/Night	IR-cut filter with auto switch (ICR)
IR Range	Up to 30m (98 ft) IR range
S/N	>52dB
WDR	Optical WDR (up to 120 dB)

## Video

Max. Resolution	1920 × 1080
Video Compression	H.264,MJPEG
Frame Rate	1080P (1920*1080): Max. 30 fps; 720P (1280*720): Max. 30 fps; D1 (720*576): Max. 25 fps
9:16 Corridor Mode	Supported
ROI	Supported
Video Streaming	Triple
OSD	Up to 8 OSDs
Privacy Mask	Up to 4 areas

## Audio

Audio Compression	G.711
Two-way audio	Supported

## Storage

Edge Storage	Micro SD, up to 128 GB
--------------	------------------------

## Network

Protocols	L2TP,IPv4,IGMP,ICMP,ARP,TCP,UDP,DHCP,PPPoE,RTP,RTSP,Qos,NTP,FTP,HTTP,SNMP,SIP
Compatible Integration	ONVIF, API

## Interface

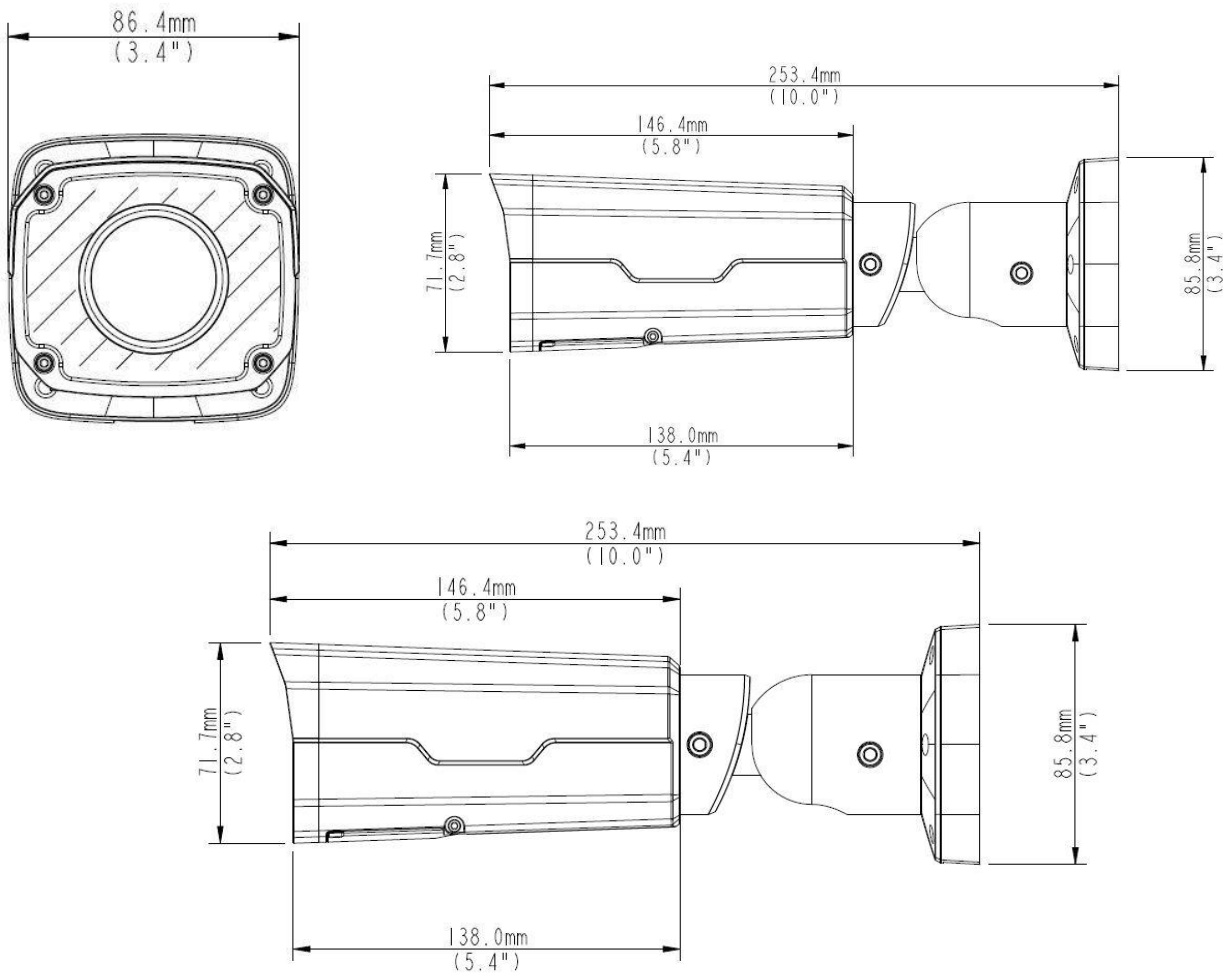
Audio I/O	Audio cable
	Input: impedance 35 kΩ; amplitude 2 V [p-p]
	Output: impedance 600 Ω; amplitude 2 V [p-p]
Alarm I/O	1 / 1
Network	10M/100M Base-TX Ethernet



### General

Power	12 V DC, or PoE (IEEE802.3 af)
	Power consumption: Max 9W
Material	Cast aluminum
Dimensions (L x W x H)	253.4 x 86 x 71.7 mm (9.98" x 3.4" x 2.8")
Weight	0.97 kg (2.14 lb)
Working Environment	-35°C ~ +60°C (-31°F ~ 140°F), Humidity ≤ 90% RH(non-condensing)
Vandal Resistant	IK10
Ingress Protection	IP66

## Dimensions





# Accessories

Installation mode	Accessories	Description
Wall mount	\	Mounting pedestal is included in the Product package
Ceiling mount	\	Mounting pedestal is included in the Product package
Rail mount	TR-UP06-A-IN	For outdoor rail installation
Pole mount	TR-UP06-A-IN	For outdoor pole installation