



# 2MP Vandal-resistant Network IR Fixed Dome Camera



## Key Feature



OPTICS

### Optics

- Day/Night functionality
- Smart IR, up to 30 m (98 ft) IR distance
- 3D DNR (Digital Noise Reduction)



COMPRESSION

### Compression

- Triple streams
- ROI (Region of Interest)
- Customized OSD



NETWORK

### Network

- ONVIF Conformance



STRUCTURE

### Structure

- Wide temperature range: -35°C to 60°C (-31°F to 140°F)
- Wide input voltage range of  $\pm 25\%$
- IK10 Vandal resistant
- IP66



# Specifications IPC322E-IR-F36-IN

## Camera

Sensor	1/2.8", 2 Megapixel, progressive scan CMOS
Shutter	Auto/Manual, 1/6~1/8000 s
Lens	3.6mm
Angle of View (H)	84.7°
Day/Night	IR-cut filter with auto switch (ICR)
Min. Illumination	Color: 0.06 Lux (F1.6, 50IRE) Black & White: 0.03Lux (F1.6, 50IRE)
S/N	>52dB
Image Rotation	Supported

## Video

Max. Resolution	1920 × 1080
Video Compression	H.264,MJPEG
Frame Rate	1080P (1920*1080) 30 fps; 720P (1280*720) 30 fps; D1 (720*576) 25 fps
Video Streaming	Triple
OSD	Up to 8 OSDs
Privacy Mask	Up to 4 areas

## Audio

Audio Compression	G.711
Two-way audio	Supported

## Network

Protocols	L2TP,IPv4,IGMP,ICMP,ARP,TCP,UDP,DHCP,PPPoE,RTP,RTSP,Qos,NTP,FTP,HTTP,SNMP,SIP
Compatible Integration	ONVIF, IMOS, API

## Interface

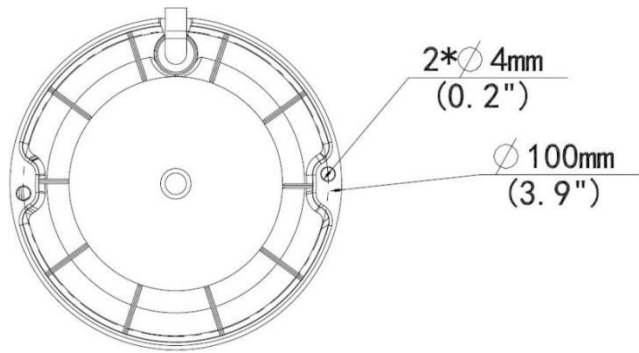
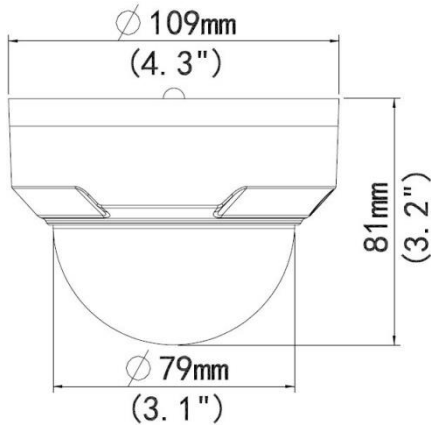
Audio I/O	Input: impedance 35 kΩ; amplitude 2 V [p-p] Output: impedance 600 Ω; amplitude 2 V [p-p]
Alarm I/O	1/ 1
Network	10M/100M Base-TX Ethernet

## General

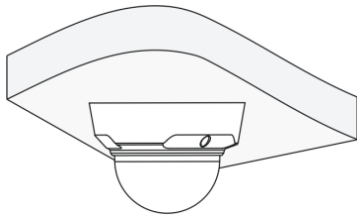
Power	12 V DC, or PoE (IEEE802.3 af) Power consumption: 3.5W(5.5W with IR on)
Dimensions (∅ x H)	∅109 x 81 mm (∅4.3" x 3.2")
Weight	0.45 kg (0.99 lb)
Working Environment	-35°C ~ +60°C (-31°F ~ 140°F), Humidity ≤ 90% RH(non-condensing)
Vandal Resistant	IK10
Ingress Protection	IP66



## Dimensions



## Installation



Ceiling mount

## Accessories

Installation mode	Accessories	Description
Ceiling mount	Mounting pedestal is included in the Product package	\