



2MP Network IR Mini Bullet Camera



Key Feature



OPTICS

Optics

- Day/night functionality
- Smart IR , up to 30 m (98 ft) IR distance
- Optical glass window with higher light transmittance
- IR anti-reflection window to increase the infrared transmittance
- 3D DNR (Digital Noise Reduction)



COMPRESSION

Compression

- H.264/MJPEG
- Triple streams
- 9:16 corridor mode



NETWORK

Network

- ONVIF Conformance



STRUCTURE

Structure

- Wide temperature range: -35°C to 60°C (-31°F to 140°F)
- Wide voltage range of $\pm 25\%$
- IP66



Specifications IPC2122SR3-PF36

IPC2122SR3-PF36

Camera

Sensor	1/2.8", 2.0 megapixel, progressive scan, CMOS
Lens	3.6mm@F1.8, Angle of view(H): 80.5°
Shutter	Auto/Manual, 1/6~1/8000 s
Min. Illumination	Color: 0.06 Lux (F1.4, 50IRE) 0 Lux with IR on
Day/Night	IR-cut filter with auto switch (ICR)
IR Range	Up to 30m (98 ft) IR range
S/N	>52dB
WDR	Digital
Noise Reduction	2D/3D

Video

Max. Resolution	1920×1080
Video Compression	H.264/MJPEG
Frame Rate	1080P (1920*1080): Max. 30 fps; 720P (1280*720): Max. 30 fps; D1 (720*576): Max. 25 fps
Video Streaming	Triple
9:16 Corridor Mode	Supported
ROI	Supported
OSD	Up to 8 OSDs
Motion Detection	Up to 2 areas
Privacy Mask	Up to 4 areas

Network

Protocols	IPv4,IGMP,ICMP,ARP,TCP,UDP,DHCP,RTP,RTSP,DNS,DDNS,NTP,FTP,UPnP,HTTP
Compatible Integration	ONVIF

Interface

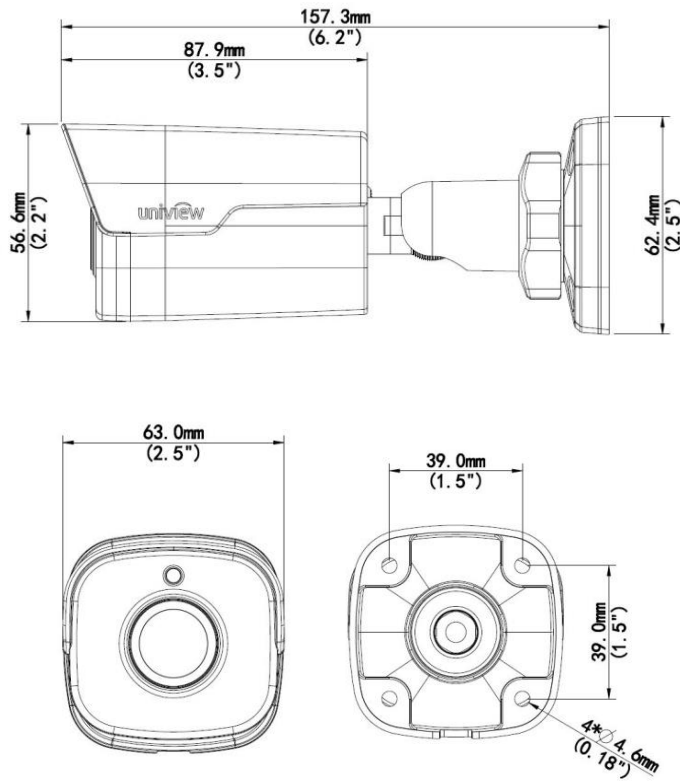
Network	1 RJ45 10M/100M Base-TX Ethernet
---------	----------------------------------

General

Power	12 V DC, or PoE (IEEE802.3 af)
	2.0 W (6.4 W with IR on)
Dimensions (L × W × H)	157.3 × 62.4 × 63 mm (6.2" × 2.5" × 2.5")
Weight	0.45 kg (0.99 lb)
Working Environment	-35°C ~ +60°C (-31°F ~ 140°F), Humidity ≤ 90% RH(non-condensing)
Ingress Protection	IP66



Dimensions



Accessories

Installation mode	Accessories	Description
Wall mount	Mounting pedestal is included in the Product package	\
Ceiling mount	Mounting pedestal is included in the Product package	\