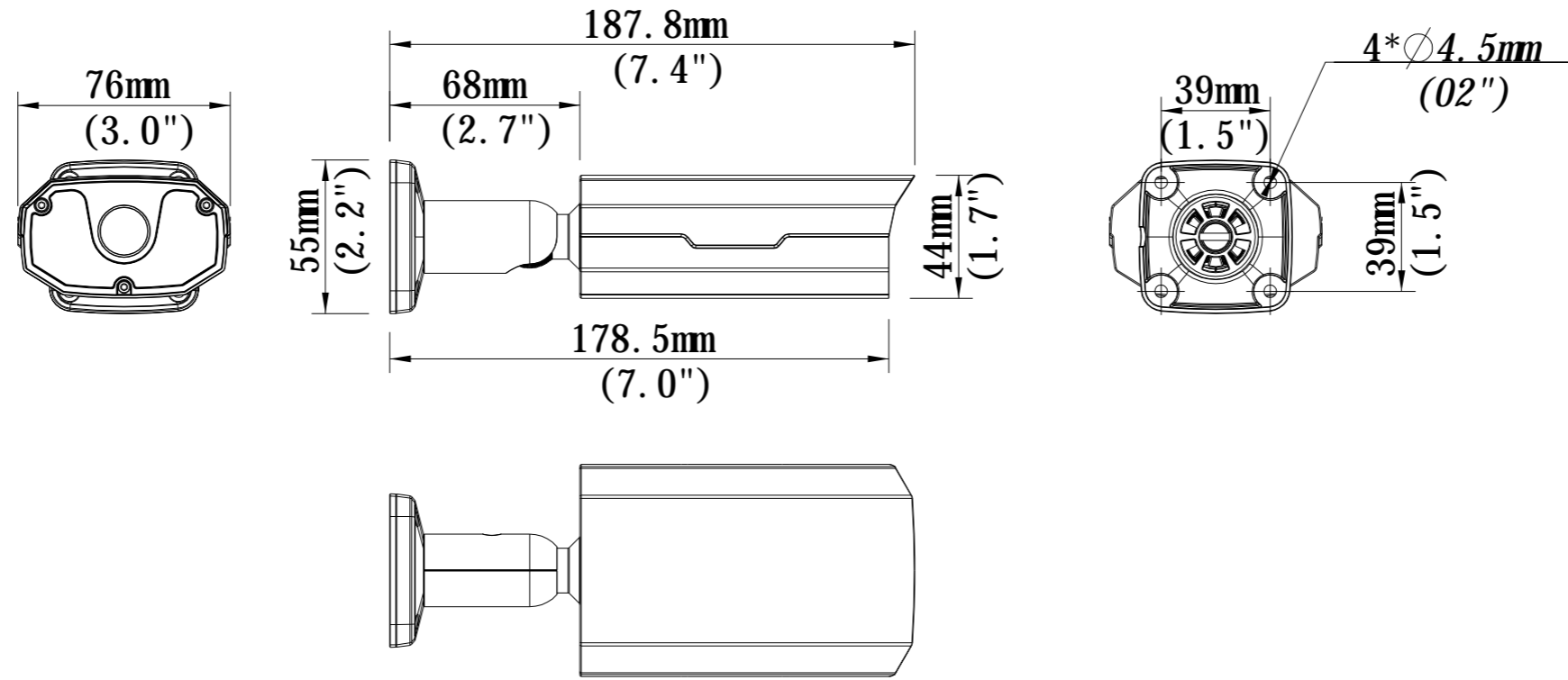



REV	ECO NO.	DESCRIPTION



RELEASE LEVEL: [ ]  
FILE NAME:

		TITLE:	
		DRAW:	DATE:
THESE DRAWINGS AND SPECIFICATION ARE THE PROPERTY OF ZHEJIANG UNIVIEW TECHNOLOGIES CO., LTD. AND SHALL NOT BE REPRODUCED COPIED OR USED IN ANY MANNER WITHOUT THE PRIOR WRITTEN CONSENT OF ZHEJIANG UNIVIEW TECHNOLOGIES CO., LTD.	CHKD:	DATE:	UNIT'S:
	STAD:	DATE:	FINISH:
	APPD:	DATE:	MASS(Kg):
	PRODUCT:	DATE:	SCALE:
SHEET:      OF		PART NO.:	
MAT'L:		REV	