



1080P Laser VF Network IR PTZ Dome Camera



Key Feature



OPTICS

Optics

- 33x optical zoom
- Accurate and fast focusing
- IR anti-reflection window to increase the infrared transmittance
- Optical glass window with higher light transmittance
- Smart IR, up to 500m(1640ft) IR distance



COMPRESSION

Compression

- H.264/MJPEG
- Triple streams
- Customized OSD



NETWORK

Network

- ONVIF Conformance



STRUCTURE

Structure

- Special structure and window design to battle bad weather (Especially in dusty weather)
- Innovative snow-removing functionality
- Intelligent temperature control technology
- More effective heat dissipation system
- 6 KV surge protection designed for network interface



Specifications IPC6242SL-X33

Camera

Sensor	1/2.8" progressive scan, 2 megapixel, CMOS
Focus/Zoom	4.5 ~ 148.5 mm (33x optical zoom)
Iris	Auto/Manual, F1.6 ~ F5.3
Shutter	Auto/Manual, shutter time: 1/6 s ~ 1/8000 s
Min. Illumination	Color: 0.02 lux (F1.6, 50IRE) B/W: 0 lux
S/N	>52dB
Day/Night	IR-cut filter with auto switch (ICR)

Video

Video Compression	H.264
Frame Rate	1080P (1920×1080): Max. 30 fps
Video Streaming	Triple
OSD	Time, custom, preset, PTZ coordinates, zoom, serial port, cardinal direction, network interface
Privacy Mask	Supported

Audio

Audio Compression	G.711
Two-way Audio	Supported

Storage

Edge Storage	Micro SD, up to 128 GB
--------------	------------------------

Network

Protocols	L2TP, IPv4, IGMP, ICMP, ARP, TCP, UDP, DHCP, RTP, RTSP, DNS, DDNS, NTP, FTP, UPnP, HTTP, SNMP, SIP, HTTPS
Compatible Integration	ONVIF, API

Pan & Tilt

Pan Range	360°
Pan Speed	0.1°/s ~ 240°/s
	Preset speed: 300°/s
Tilt Range	-15° ~ +90° (auto reverse)
Tilt Speed	0.1° ~ 160°/s
	Preset speed: 240°/s
Number of Preset	255
Patrol	Preset patrol, route patrol, recorded patrol
Home Position	Supported

Interface

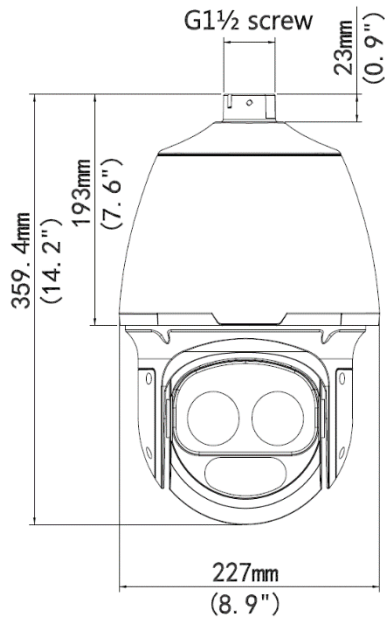
Audio I/O	Audio interface
	1 Input: impedance 35 kΩ; amplitude 2 V [p-p]
	1 Output: impedance 600 Ω; amplitude 2 V [p-p]
Alarm I/O	2 alarm inputs, 1 alarm output
Serial Port	1 RS485
Network	10M/100M Base-TX adaptive Ethernet network interface
Video Output	1 BNC, impedance 75 Ω; amplitude 1 V [p-p]



General

Power	24 V AC±25% (default power supply), 24V DC±25%
	Power consumption: 8 W ~ 47 W
	Overvoltage/overcurrent protection
Dimensions (Ø x H)	Ø227 mm x 359.4 mm (Ø8.9" x 14.2")
Weight	5.5 kg (12.1 lb)
Working Environment	-40°C ~ +70°C (-40°F ~ 158°F), Humidity ≤ 90% RH(non-condensing)
IR	Built-in VF laser IR
Ingress Protection	IP66

Dimensions





Accessories

Installation mode	Accessories	Description
Pendant mount	TR-CE45-IN bracket	/
	Pendant components:	
	TR-UF45-A-IN indoor ceiling plate	Ceiling plate is optional with different pendant rod for various applications
	TR-UF45-B-IN outdoor ceiling plate	
	TR-SE45-IN pendant rod (200mm)	
TR-SE45-A-IN pendant rod (500mm)		
Standing pole mount	Customized bracket	The interface is designed with internal G1½ screws. The screw depth must be more than 23 mm.
Wall mount	TR-WE45-IN bracket	/
Corner mount	TR-WE45-IN bracket + TR-UC08-A-IN bracket	/
Pole mount	TR-WE45-IN bracket + TR-UP08-A-IN bracket	/